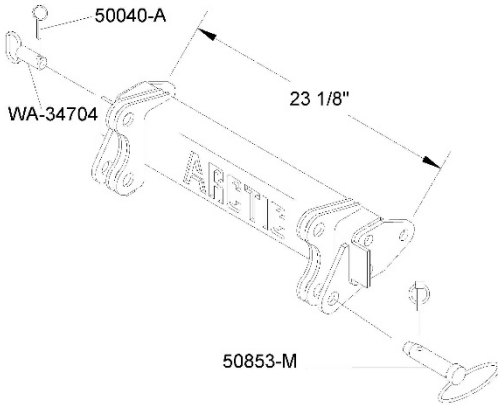
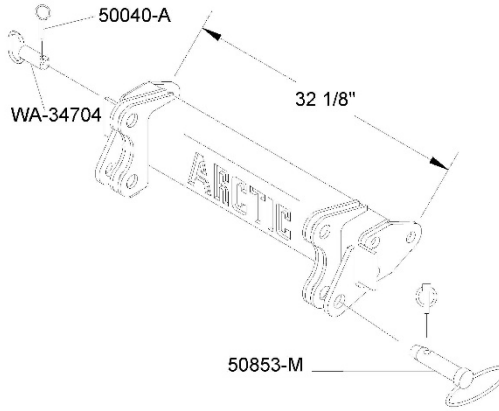


Lift frame & Spreader Bar Quick Reference

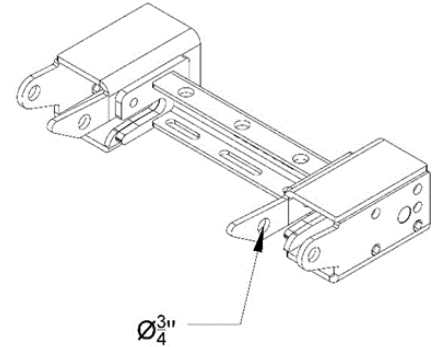
QLI Spreader Bar (Short)
(52166-C)



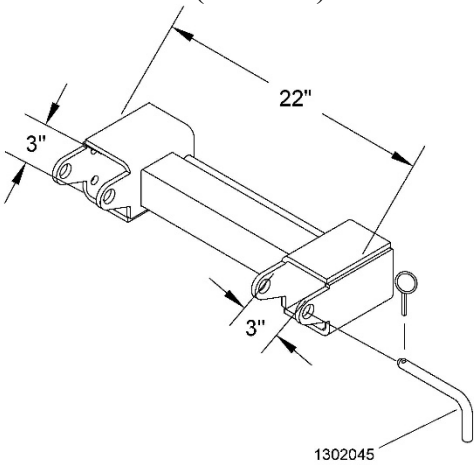
QLI Spreader bar (Long)
(52310-D)



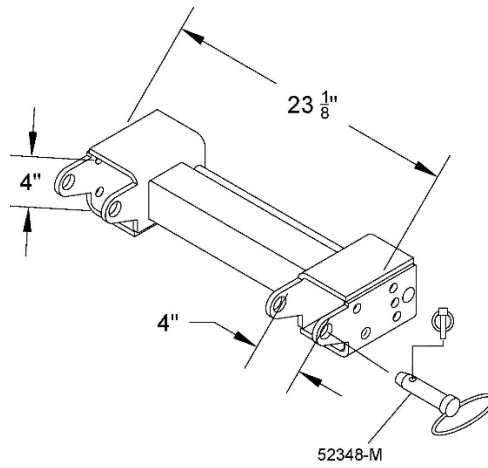
QL-HOP Spreader Bar
(53685-C)



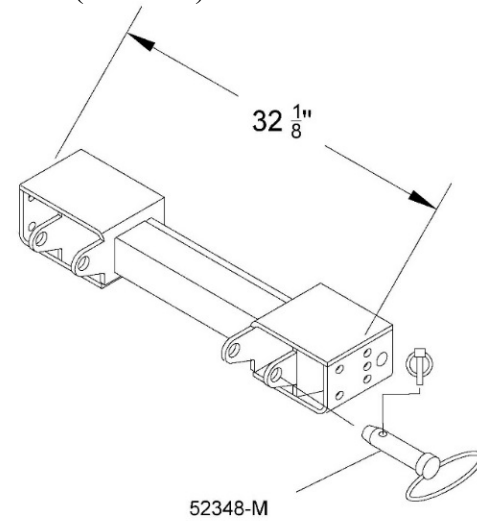
Light Duty Spreader Bar (Short)
(52642-C)



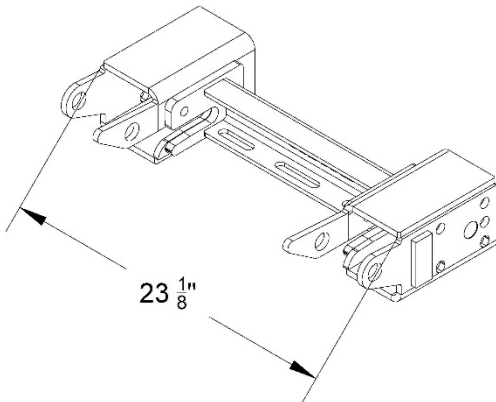
QLII Spreader bar (Short)
(52363-C)



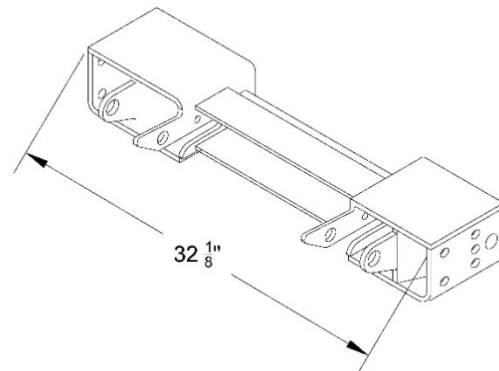
QLII Spreader bar (Long)
(52364-C)

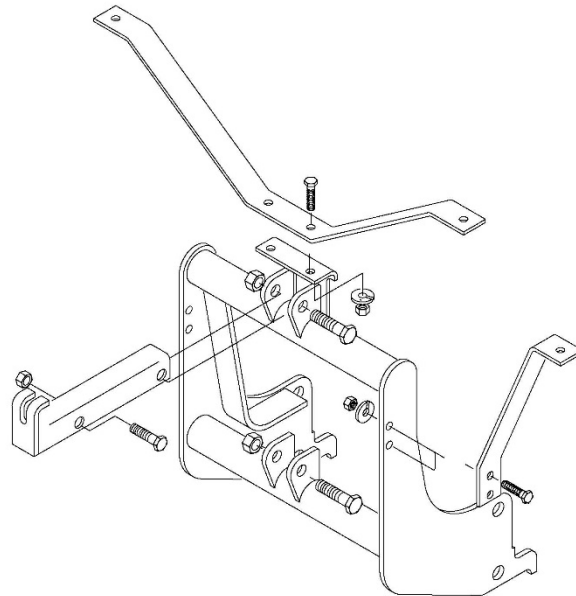


QLIV Spreader Bar (Short) (53551-C)



QLIV Spreader Bar (Long) (53507-C)



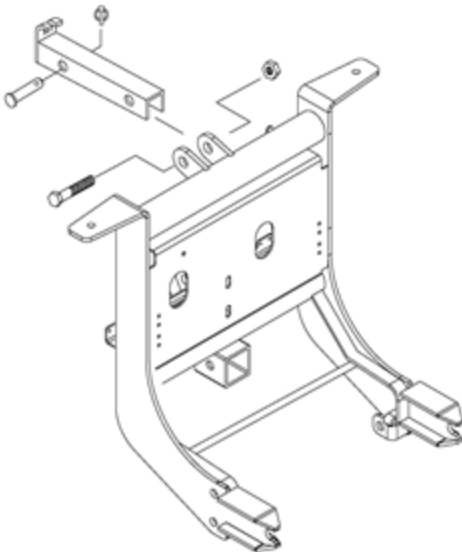


QLI- MKB

Quick Link I, low mount

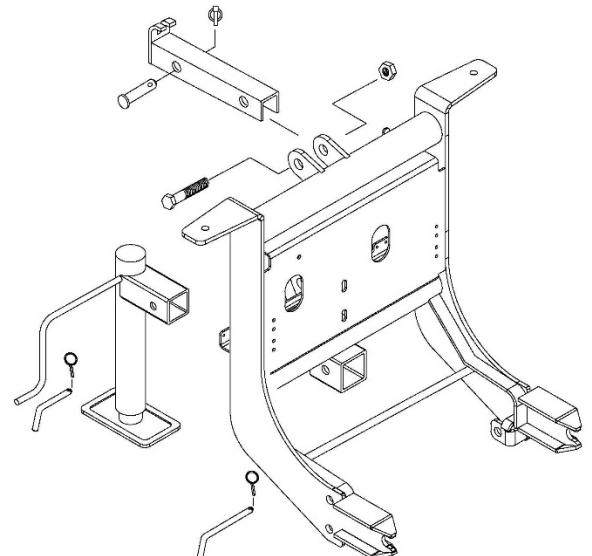
Assembles to QLI Spreader bar only.

Low mount lift frames for light duty plow



QLII-MK BX-GA

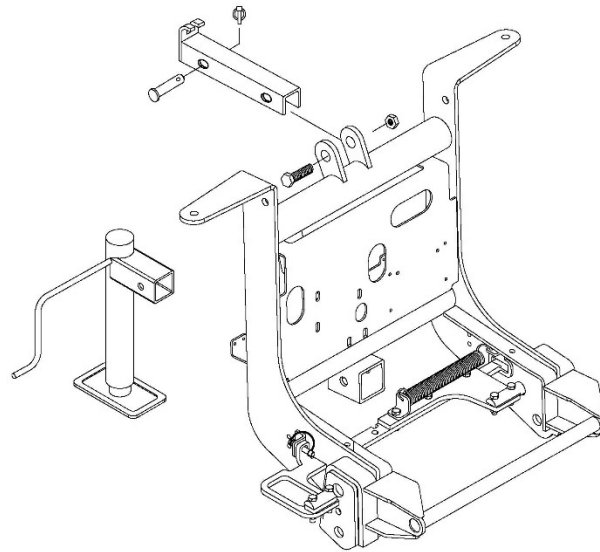
Quick Link II, low mount (used prior 2014)



QLII-MK BX-M3493

Quick Link II, low mount

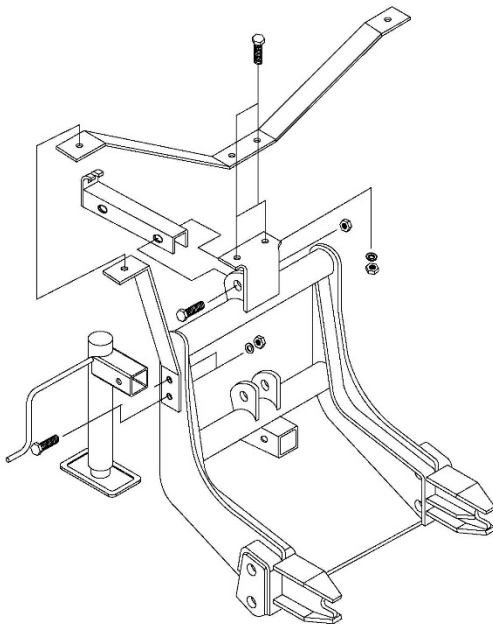
Low Mount lift frame for Homeowner Plow



QL-HOP (53661-HANDLE + 53704-M)

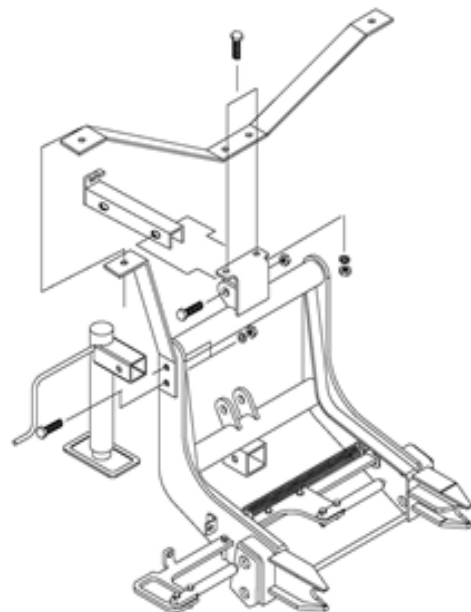
Homeowner lift frame

Low Mount lift frames for M673F power unit



QLII-MKB

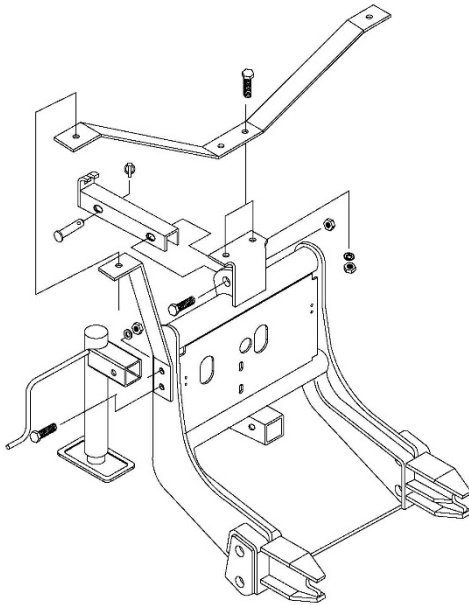
Quick Link II, low mount



QLIII-MKB-GA

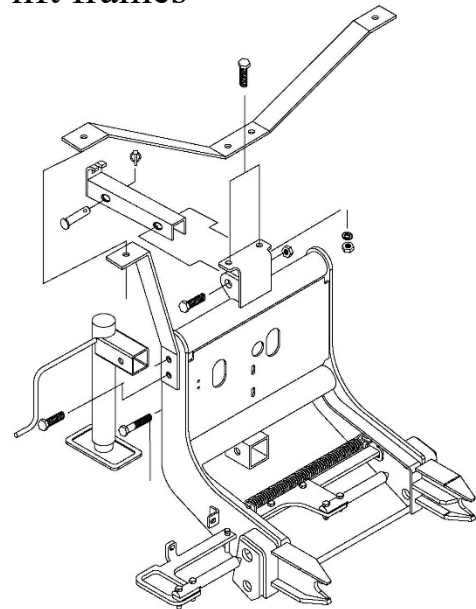
Quick Link III, low mount

Low Mount lift frames



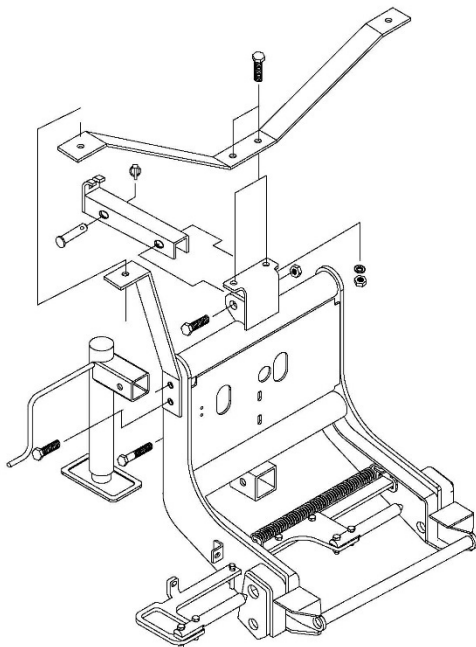
QLII-MKB-M3493

Quick Link II, low mount



QLIII-MKB-M3493

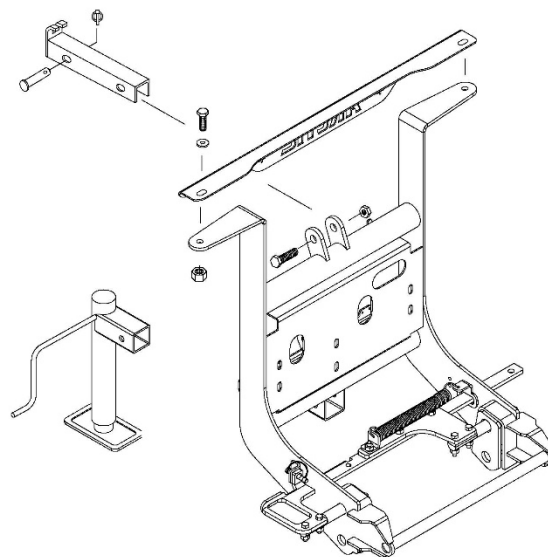
Quick Link III, low mount



QLIV-MKB-M3493

Quick Link IV, low mount

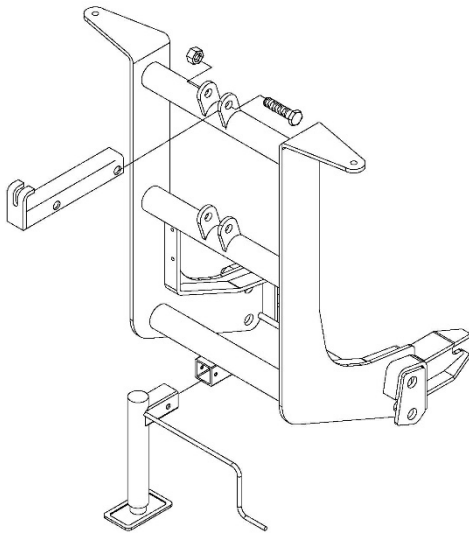
Lift frame for SD2 Plow



QL-SD2 (53853-HANDLE + 53704-M + 53858-04-M)

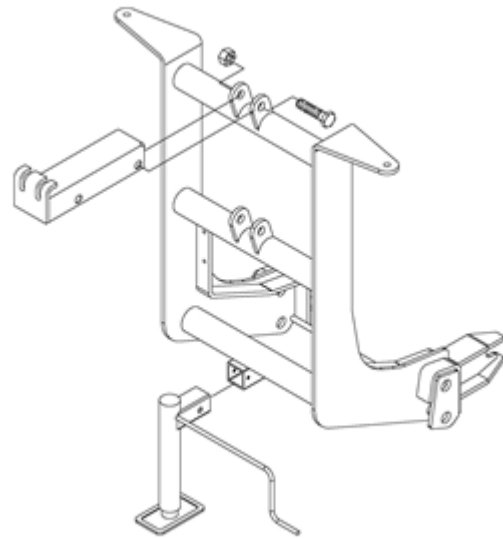
SD2 Lift Frame

Hi boy Lift frames



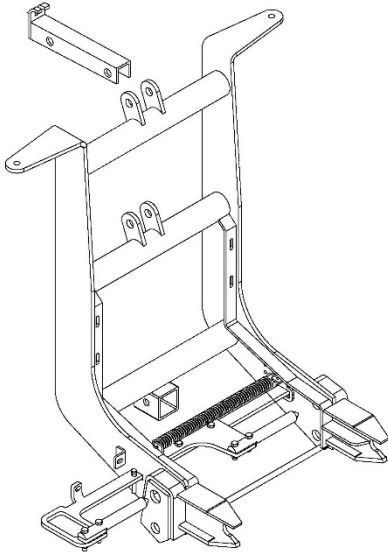
QLII-HI (53171-D + 53213-M)

Quick Link II, Hi boy



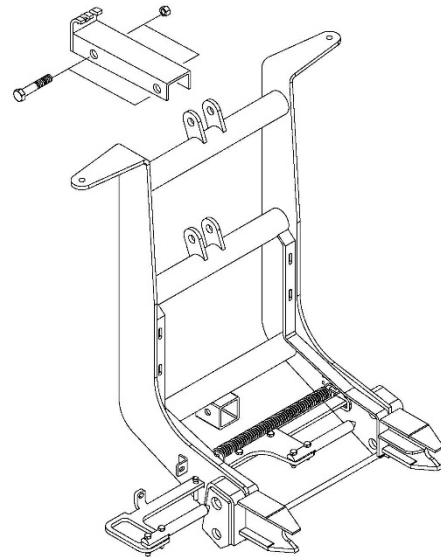
QLII-HI-DLC (53171-D + 53214-M)

Quick Link II, Hi boy c/w Dual Lift chain



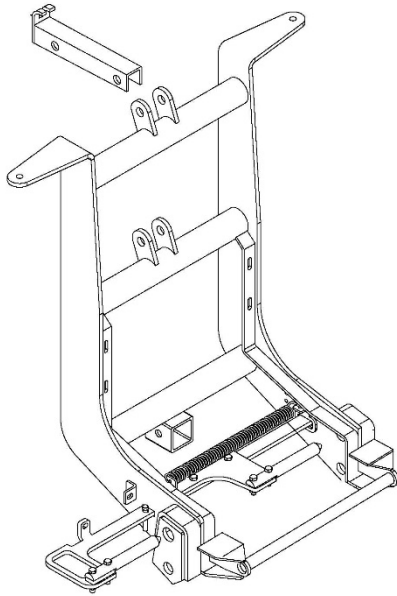
QLIII-HI (53171-HANDLE + 53215-01)

Quick Link III, Hi boy



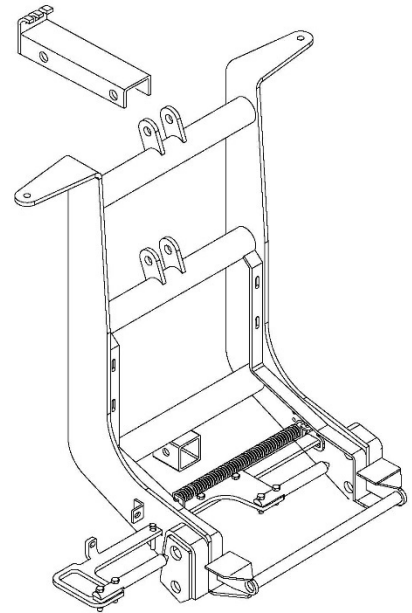
QLIII-HI-DLC (53171-HANDLE + 53216-01)

Quick Link III, Hi boy c/w Dual lift chain



QLIV-HI (53517-HANDLE + 53215-01)

Quick Link IV, Hi boy



QLIV-HI-DLC (53517-HANDLE + 53216-01)

Quick Link IV, Hi boy c/w Dual lift chain